

**Product Data**

**FULL-FIELD DIGITAL MAMMOGRAPHY SYSTEM**

# DMX-600

New paradigm of digital mammography system, DMX-600, shows new indicator to the screening and diagnosis of breast cancer for all women in the world.

**Features**

- ✚ Excellent & High resolution Image Quality
- ✚ Large F.O.V. by Multi-format technology
- ✚ User friendly Versatile functions
- ✚ Smart Software user alike



**Digital Image Detector**

Image area (Detector size)	23x23(23x15) or 23x29cm
Detector type	Indirect (CMOS)
Pixel pitch	75 μm
Bit dept of image (Conversion A/D)	14bit per pixel
Spatial resolution	6.7 lp/mm
DQE	~0.7 at 1lp/mm
MTF	>20% at 5lp/mm

**Generator**

Type	High frequency generator, 40kHz
Output capacity(KW)	4KW
kV range (kV)	22 ~ 39kV, adjustable in increments of 1kV
mAs range (mAs)	3.2 ~ 650mAs
Max. mA (Small focus)	30mA
Max. mA (Large focus)	100mA
Exposure time	Large: 9.0sec. Small: 6.5 sec.
Exposure mode	2 exposure mode

**X-Ray tube Assembly**

Anode material	Mo
Rotating speed	3,000~10,000rpm
Anode diameter	80mm
Anode angle	15° or 10°
Anode thermal capacity(HU)	300KHU
Cooling rate	

## Product Data of Mammography DMX-600

---

Focal spot	80W
Focus kW	0.1 x 0.3mm
Filters	Large: 4.8~9kW, Small: 1.15~2kW Mo/Al or Mo/Rh

---

### Main Gantry

Gantry shape	C shape
Gantry dimension (WxDxH)	68x105x122cm
Source to detector distance (SID)	650mm
Platform height range	700mm (720-1420mm)
Control Up/Down on foot switch	Yes
Vertical range of compression device	150mm
C-arm rotation range	± 180°
Comp/Decomp column height foot switch	YES
Automatic collimation system	YES
Grid system	Liner
Magnification device	1.5X / 1.8X

---

### Compression system

Compression type	Motorized & Manual
Max. compression force (20kg)	200N
Compressed breast release after exposure	Automatic & Manual
Vertical movement and electromagnetic brakes	Automatically locked In digital indicators
Breast thickness, force & angle of rotation	Normal (2EA)
Paddle unit of compression	

---

### AEC (Automatic Exposure Control) System

Auto/Semi auto/Manual	3 mode (Full/Semi/manual)
Parameter selection	Fully automatic all parameters automatic selected by the computer (MICOM processor control)
Manual selection	The parameters (kV & mAs & Filter) are manually selected

---

### BUCKY & X-Ray control panel

Material	Carbon fiber
Grid ratio	5:1, 31lp/cm
Display on control panel	Alphanumeric display showing all parameters
Parameter displayed	kV, mAs, filter, focal spot, AEC technique
Radiation shield	0.5mmPb

---

**Product Data of Mammography DMX-600**

---

**AWS software (Acquisition Workstation)**

Computer specification	I5, 3.3GHz, 4GB
Monitor	23”(16:9), 2MP(1920x1080), 300cd/m <sup>2</sup>
Storage capacity of images	1TB
Image visualization time to RWS	<10s
<b>System Capability of AWS software</b>	Window level, very large possibility to adjust the contrast & brightness Zoom/ Pan Moving the zoomed image on the monitor Ruler with multipul application Image inversion (Negative-Positive) Magnifying glass (local zoom) DICOM/Print/Store/Worklist

---

**Accessories & ETC (Option)**

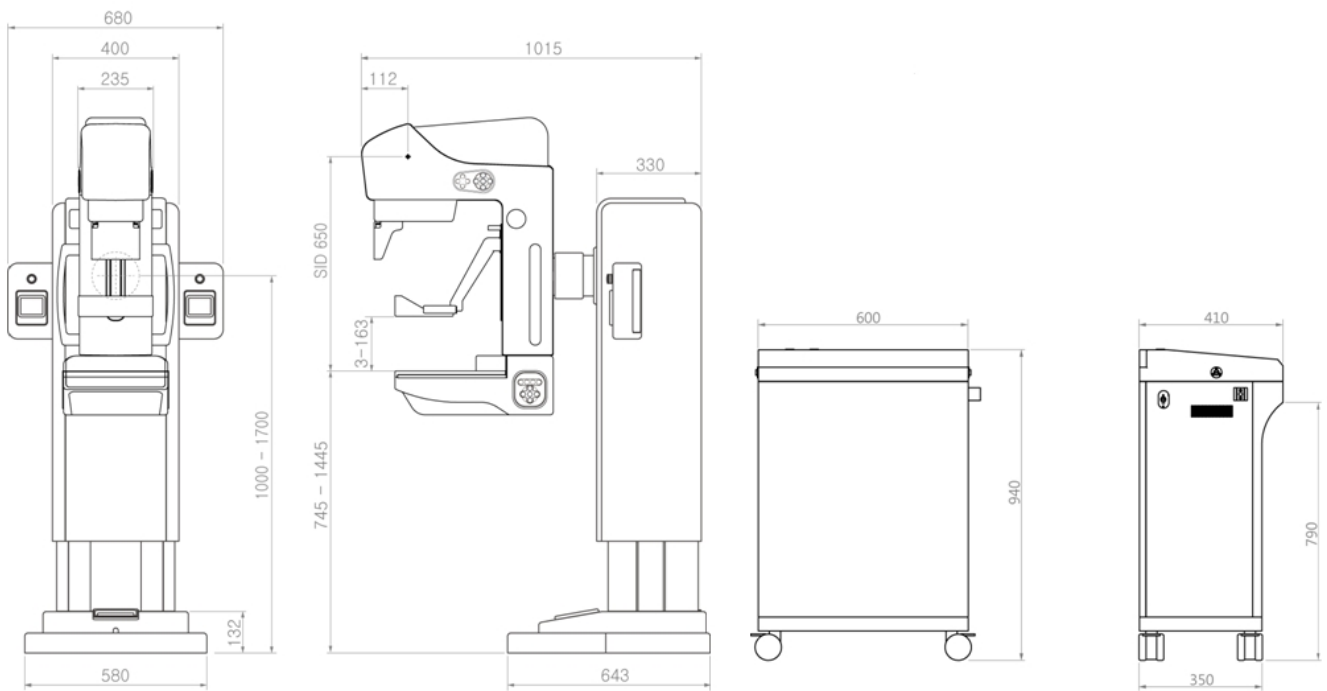
- Rh filtration
  - X-ray tube(10°angle) with HSS
  - Magnification device factor x1.5 & x1.8
  - Spot compression paddle for localized exposure
  - Compression paddle with circle holes (2D biopsy)
  - Compression paddle with rectangular window (2D biopsy)
  - 5MP Dual Monitors
  - RWS
  - C.A.D. (Computer Aided Detection)
  - Mammographic phantom
- 

**Installation Information**

Dimension	1050x1035x2228mm
Weight	300kg
Nominal Line voltage	200~230VAC, @25A, 1 ϕ
Line frequency	50/60Hz
Allowable voltage fluctuation range (without load)	Within 10% of the nominal line voltage
Radiation shield	15kg, 0.5mmPb

---

## Product Data of Mammography DMX-600



Unsurpassed Image Quality and Easy Operation

### **GENORAY CO., LTD**

#512 Byucksan Technopia 434-6 Sangdaewon 1-Dong, Jungwon-Gu, Seongnam-City, Gyeonggi-Do, 462-716 KOREA

TEL)+82 31 740 4100 FAX)+82 31 737 8025 EMAIL TO [amy@genoray.com](mailto:amy@genoray.com) Visit us at [www.genoray.com](http://www.genoray.com)