

ZEN-7000

The "Performance Standard" in Digital Imaging

Simple, Stylish,
Performance C-Arm



Genoray Makes the Invisible Visible

Built on vast experience and superior technology, Genoray is a leading X-ray system manufacturer.



Light, yet powerful & reliable C-Arm!
Quality & Value in ONE



Discover a new level of **POWER** and **CLARITY**

More Powerful Than Ever

- Rotating anode
- Heavy-weight performance: 120kV / 20mA

Convenient

- Full-size touch screen
- Easy to use operational panel
kV, mA, collimator, image control, etc.

Safety Assured

- Automatic shut off to prevent over-heating
- Counter-balanced
- Emergency switch for manual shut off

Features

- Virtual collimation
- Tri-mode 9" LL
- 1K x 1K CCD technology
- Standard DICOM 3.0



Real Time Display



Sharp Contrast



Surgery Assistant



Limitless Application

Technical Specifications & Dimensions

ZEN-7000

FUNCTION

Orbital Movement	135° (45° overcast)
Wig-wag Movement	± 12.5°
Vertical Movement	15.75in (40cm)
Horizontal Movement	7.87in (20cm)
Depth	26.77in (68cm)
Free Space	30.71in (78cm)
SID	39.37in (100cm)
Rotation	± 190°

GENERATOR

Inverter Frequency	40 kHz
Power	5 kW
kV Range on Fluoroscopy	40-120kV
mA Range on Fluoroscopy	0.1~7mA / 20mA
kV Range on Radiography	40-120kV
Max Value of Radiography Current	70 mA
mAs	0.4-100mAs
Snap Shot	10-25mA

TUBE

Anode Heat Capacity (HU)	300,000
Small Focus	0.3 mm
Large Focus	0.6 mm
Anode Type	Rotating
Collimation	Irs & Blades
Laser Pointer	Yes (Optional)
LL	9"
Monitor	19" (B/W Medical Grade)
Camera Type	CCD Camera (1k x 1k pixel)

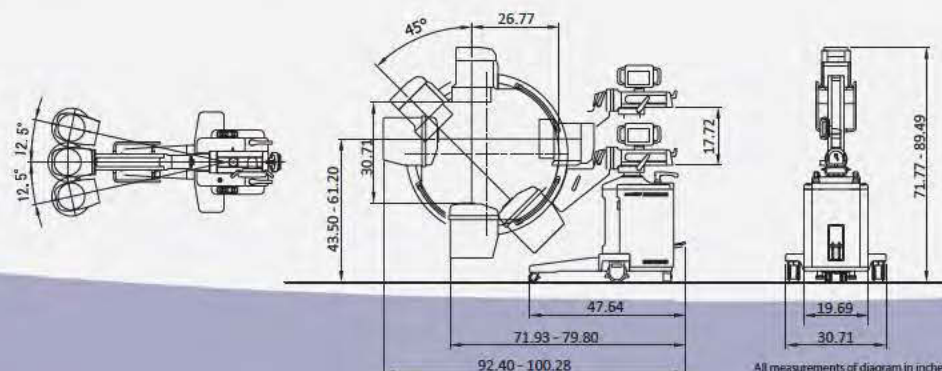
DIGITAL MEMORY, IMAGE PROCESSING

ZENIS system / Window 7

DIGITAL MEMORY, IMAGE PROCESSING

Image Capacity	100,000
LH, Digital Recording	Yes
Dual Monitor Display	Yes
Edge Enhancement	Yes
A/D Conversion	14 bit
Frames Per Sec	30 / 15 fps
DICOM 3.0	Yes
Cine Loop Recording	Yes
Minimum Dose Pulse Mode	Yes

*The specifications above can be changed to improve quality.



All measurements of diagram in inches



Genoray America Inc.
1073 N. Batavia St. Orange, CA 92867 USA
TEL : 855-GENORAY FAX : 714-453-9661
inquiry@genorayamerica.com